

## 1 True or False

1. On a fast cross-continental link ( $\approx 100\text{Gbps}$ ), *propagation delay* usually dominates *end-to-end packet delay* (Most messages are smaller than 100MB).

**Solution:** True. On a 100Gbps link, even a 100MB file download would only take 0.008 seconds to get on the wire, compared to 0.02 seconds propagation delay from New York to London (in the best case). Most communications (web page, emails) don't come close to this size.

2. On the same cross-continental link ( $\approx 100\text{Gbps}$ ), when transferring a 100GB file, *propagation delay* still dominates end-to-end file delivery.

**Solution:** False. Sending a 100GB file over a 100Gbps link will have at least 8 seconds transmission delay.

3. On-demand circuit-switching is adopted by the Internet.

**Solution:** False. Circuit-switching shares bandwidth through reservation. Packet-switching shares bandwidth on demand. Packet-switching is adopted by the Internet.

4. The aggregate (i.e., sum) of peaks is usually much larger than peak of aggregates in terms of bandwidth usage.

**Solution:** True. Statistical multiplexing leverages this to use available scarce resources more effectively.

5. Bursty traffic (i.e., when packet arrivals are not evenly spaced in time) always leads to queuing delays.

**Solution:** False. Queuing delay happens when arrival rate is larger than transmission rate (ignoring processing delays). Bursty traffic does not necessarily imply arrival rate is larger than transmission rate. Queuing delay depends on traffic patterns, router internals, and link properties.

6. Layering in the network stack is an example of the end-to-end principle.

**Solution:** False. While the end-to-end principle is about what layer functionality should be implemented, layering is a lesson in modularity and abstraction, breaking the functions of the data plane into smaller problems. For example  $L_3$  deals with connecting subnets to each other while  $L_4$  deals with the reliability of flows.

7. We implement all the same layers in both the host and routers.

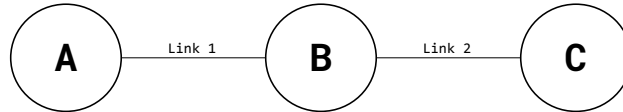
**Solution:** False. In the hosts we implement layers 1;2;3;4; and 7 but in a router we implement layers 1;2; and 3 because we don't handle reliability or applications in the network. Information at layers 4 and 7 are unneeded for packet forwarding.

8. Layers 4 and 7 are used for forwarding in switches/ routers.

**Solution:** False. There's no need to handle reliability or applications in the network, which means  $L_4$ ,  $L_7$  are not needed.

## 2 End-to-End Delay

Consider the diagram on the next page. Link 1 has length  $L_1$  m (where m stands for meters) and allows packets to be propagated at speed  $S_1 \frac{m}{sec}$ , while Link 2 has length  $L_2$  m but it only allows packets to be propagated at speed  $S_2 \frac{m}{sec}$  (because two links are made of different materials). Link 1 has transmission rate  $T_1 \frac{bits}{sec}$  and Link 2 has transmission rate  $T_2 \frac{bits}{sec}$ .



Assuming nodes can send and receive bits at full rate and ignoring processing delay, consider the following scenarios:

1. How long would it take to send a packet of 500 Bytes from Node A to Node B given  $T_1 = 10000$ ,  $L_1 = 100000$ , and  $S_1 = 2.5 \cdot 10^8$ ?

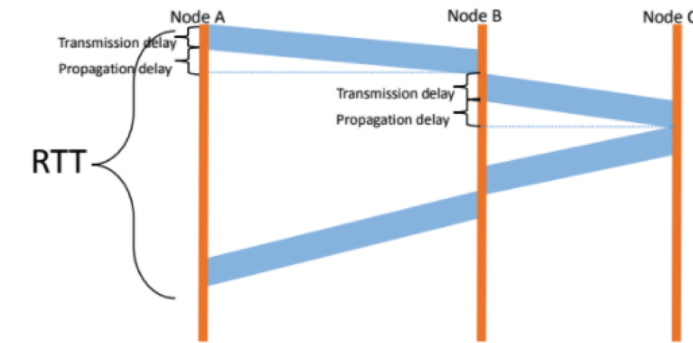
**Solution:** The total time needed is the sum of the transmission delay to push the packet onto Link 1 and the propagation delay for the packet to travel from Node A to Node B.

$$\begin{aligned}
 t_{\text{total}} &= t_{\text{transmission}} + t_{\text{propagation}} \\
 &= \frac{\text{packet size}}{\text{transmission rate of Link 1}} + \frac{\text{distance between A and B}}{\text{propagation speed}} \\
 &= \frac{500B \cdot 8 \frac{b}{B}}{10000 \frac{b}{s}} + \frac{100000m}{2.5 \cdot 10^8 \frac{m}{s}} \\
 &= 0.4s + 0.0004s = \boxed{0.4004s}
 \end{aligned}$$

Notice that transmission delay dominates more than 99.9% in this case.

2. Compute RTT (round trip time) for a packet of  $B$  Bytes sent from Node A to Node C (packet gets transmitted back from Node C immediately after Node C receives it).

**Solution:** There is only one packet so no need to worry about queuing delays. Consider the diagram below:



Note the sequence of delays the packet experiences during its route from A to C:

- (a) Transmission delay to push the packet onto Link 1.

- (b) Propagation delay as the packet travels from Node *A* to Node *B*.
- (c) Transmission delay to push the packet onto Link 2.
- (d) Propagation delay as the packet travels from Node *B* to Node *C*.
- (e) Transmission delay to push the packet onto Link 2.
- (f) Propagation delay as the packet travels from Node *C* to Node *B*.
- (g) Transmission delay to push the packet onto Link 1.
- (h) Propagation delay as the packet travels from Node *B* to Node *A*.

Summing these delays yields the total RTT:

$$\text{RTT} = \frac{8B}{T_1} + \frac{L_1}{S_1} + \frac{8B}{T_2} + \frac{L_2}{S_2} + \frac{8B}{T_2} + \frac{L_2}{S_2} + \frac{8B}{T_1} + \frac{L_1}{S_1}$$

3. At time 0, Node *A* sends packet  $P_1$  with  $D_1$  Bytes and then it sends another packet  $P_2$  with  $D_2$  Bytes immediately after it pushes all bits of  $P_1$  onto Link 1. When will Node *C* receive the last bit of  $P_2$ ?

**Solution:** There are two packets, and so we might need to consider queuing delays. There will be a queuing delay at Node *B* if  $P_2$  arrives at *B* before  $P_1$  is finished being pushed onto Link 2.

Let's start by computing the time at which  $P_1$  finishes being pushed onto Link 2.  $P_1$  takes  $\frac{8D_1}{T_1}$  seconds to be pushed onto Link 1,  $\frac{L_1}{S_1}$  seconds to propagate from Node *A* to Node *B*, and then  $\frac{8D_1}{T_2}$  seconds to be pushed onto Link 2. Hence  $P_1$  leaves Node *B* at time

$$t_1 = \frac{8D_1}{T_1} + \frac{L_1}{S_1} + \frac{8D_1}{T_2}$$

Next, let's figure out the time when  $P_2$  arrives at Node *B*. It first waits  $\frac{8D_1}{T_1}$  seconds for  $P_1$  to be completely pushed onto Link 1, then takes  $\frac{8D_2}{T_1}$  seconds of transmission delay to be pushed onto Link 1 itself, before finally needing  $\frac{L_1}{S_1}$  seconds of propagation delay to reach Node *B*. With this, we know that  $P_2$  reaches Node *B* at time

$$t_2 = \frac{8D_1}{T_1} + \frac{8D_2}{T_1} + \frac{L_1}{S_1}$$

There's queuing delay if  $t_1 > t_2$ , and the length of the delay can be expressed as

$$t_1 - t_2 = \left( \frac{8D_1}{T_1} + \frac{L_1}{S_1} + \frac{8D_1}{T_2} \right) - \left( \frac{8D_1}{T_1} + \frac{8D_2}{T_1} + \frac{L_1}{S_1} \right) = \frac{8D_1}{T_2} - \frac{8D_2}{T_1}$$

With this analysis in hand, we can express the time at which Node *C* receives the last bit of  $P_2$  as follows:

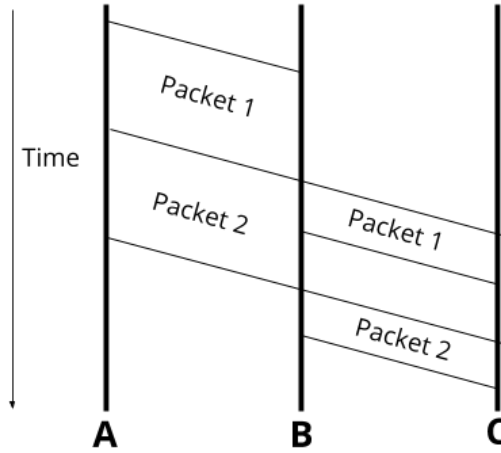
$$t_{\text{total}} = \frac{8D_1}{T_1} + \frac{8D_2}{T_1} + \frac{L_1}{S_1} + \max\left(\frac{8D_1}{T_2} - \frac{8D_2}{T_1}, 0\right) + \frac{8D_2}{T_2} + \frac{L_2}{S_2}$$

From left to right, the terms in this sum are:

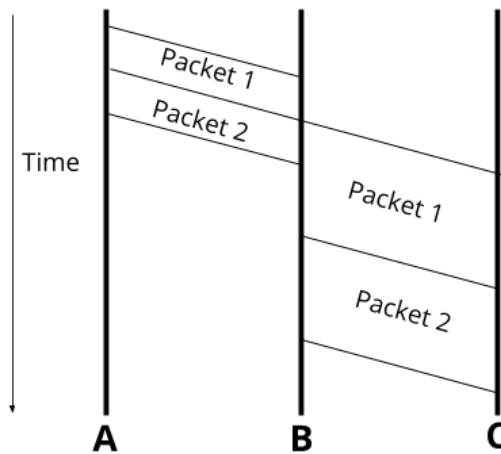
- (a) The transmission delay to push  $P_1$  onto Link 1.
- (b) The transmission delay to push  $P_2$  onto Link 1.
- (c) The propagation delay as  $P_2$  travels from Node *A* to Node *B*.
- (d) The queuing delay at Node *B*. Note that the use of the max operator allows us to express the two cases when there is and when there isn't queuing delay compactly.

- (e) The transmission delay to push  $P_2$  onto Link 2.
- (f) The propagation delay as  $P_2$  travels from Node B to Node C.

Below is the time-graph of a packet in flight without queuing delay:



And with queuing delay:



4. Find the variable relations that need to be satisfied in order to have no queuing delays for part (c).

**Solution:** From the analysis we conducted in part (c), we know there will be queuing delays if  $t_1 > t_2$ , or  $\frac{8D_1}{T_2} > \frac{8D_2}{T_1}$ . Hence, there's no queuing delays if  $\frac{8D_1}{T_2} \leq \frac{8D_2}{T_1}$ . After simplifying it, we see the relation that must be satisfied is

$$\frac{D_1}{T_2} \leq \frac{D_2}{T_1}$$

### 3 Statistical Multi-What?

Consider three flows ( $F_1, F_2, F_3$ ) sending packets over a single link. The sending pattern of each flow is described by how many packets it sends within each one-second interval; the table below shows these numbers for the first ten intervals. A perfectly smooth (i.e., non-bursty) flow would send the same number of packets in each interval, but our three flows are very bursty, with highly varying numbers of packets in each interval:

Time (s)	1	2	3	4	5	6	7	8	9	10
$F_1$	1	8	3	15	2	1	1	34	3	4
$F_2$	6	2	5	5	7	40	21	3	34	5
$F_3$	45	34	15	5	7	9	21	5	3	34

1. What is the peak rate of  $F_1$ ?  $F_2$ ?  $F_3$ ? What is the sum of the peak rates?

**Solution:** The peak rate is the highest the flow gets throughout the whole period. The peak rate of  $F_1$  is 34, the peak rate of  $F_2$  is 40, and the peak rate of  $F_3$  is 45.

The sum of their peaks is  $34 + 40 + 45 = 119$ .

2. Now consider all packets to be in the same aggregate flow. What is the peak rate of this aggregate flow?

**Solution:** Summing the flows together, we get the following values for an aggregate flow:

Time (s)	1	2	3	4	5	6	7	8	9	10
Aggregate Flow	52	44	23	25	16	50	43	42	40	43

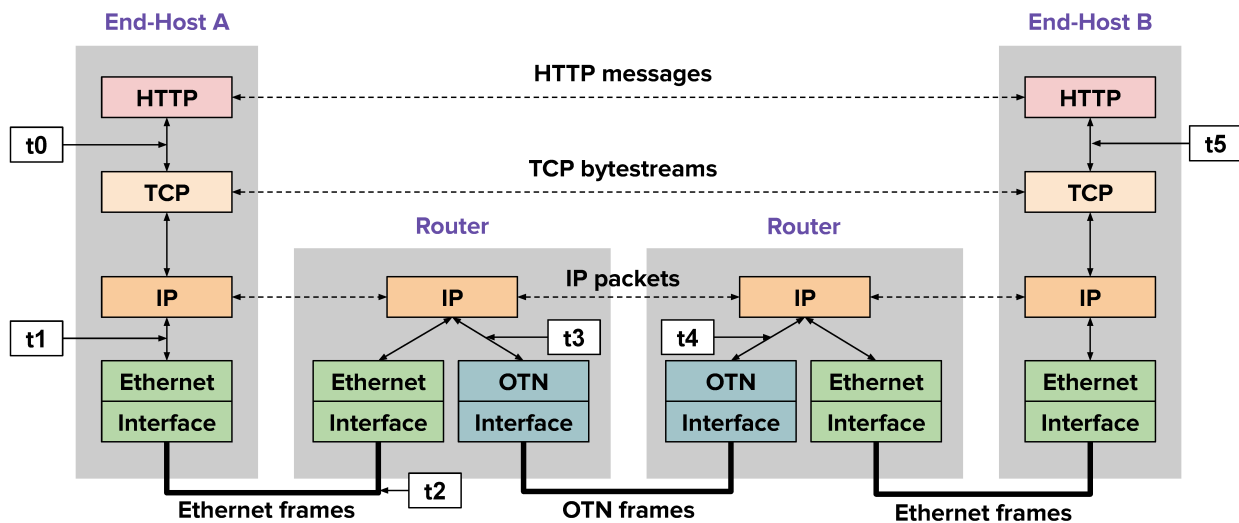
The peak of the aggregate flow happens at 1s, where it is 52.

3. Which is higher - the sum of the peaks, or the peak of the aggregate?

**Solution:** The sum of the peaks is 119, whereas the peak of the aggregate is 52, so the sum of the peaks is much higher. This is the insight from Statistical Multiplexing! The peak of the aggregate can only be at most the sum of the peaks, but that only happens in the case that all of the peaks happen at the same time. This is very unlikely, so usually, the peak of the aggregate is much lower than the sum of the peaks.

#### 4 Protocol Diagram

Refer to the figure below, which is similar to the one from Lecture 3. In this example, Host A sends one packet to host B at time  $t = 0$ . In this question, we explore how the packet header changes as the packet traverses different layers and protocols of the network. At each time step, fill in the empty blocks to describe which headers are attached to the payload. The packet headers are provided at time  $t = 2$  for reference.



Time = t0					Payload
Time = t1					Payload
Time = t2	L1/L2	L3	L4	L7	Payload
Time = t3					Payload
Time = t4					Payload
Time = t5					Payload

**Solution:**

Time = t0				L7	Payload
Time = t1		L3	L4	L7	Payload
Time = t2	L1/L2	L3	L4	L7	Payload
Time = t3		L3	L4	L7	Payload
Time = t4		L3	L4	L7	Payload
Time = t5				L7	Payload

Time = t0				HTTP	Payload
Time = t1		IP	TCP	HTTP	Payload
Time = t2	Ethernet	IP	TCP	HTTP	Payload
Time = t3		IP	TCP	HTTP	Payload
Time = t4		IP	TCP	HTTP	Payload
Time = t5				HTTP	Payload